

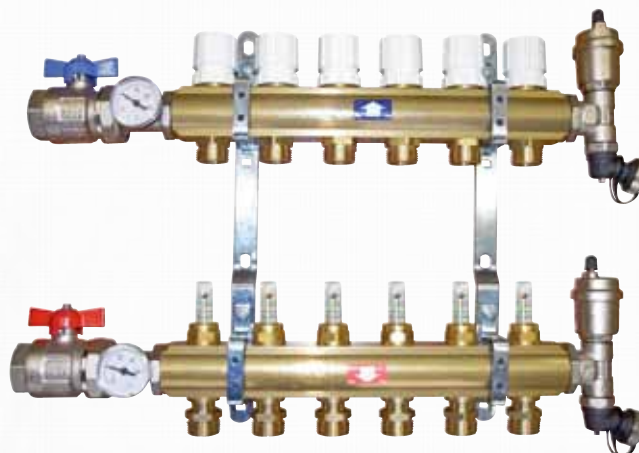


CATALOGO TECNICO
TECHNICAL CATALOGUE

COLLETTORI PREMONTATI
PRE-ASSEMBLED MANIFOLDS



VOCI DI CAPITOLATO - TECHNICAL FEATURES



Composto da:

- 1 collettore di ritorno in ottone con valvole di intercettazione predisposte per comando elettrotermico. - 1 collettore di mandata in ottone con flussimetri. - 2 staffe metalliche complete. - 2 valvole a sfera di intercettazione. - 2 bocchettoni con termometro - 2 gruppi terminali con valvola di sfogo aria e rubinetto di scarico.

Misure disponibili: 1" e 1"1/4.

Pressione massima d'esercizio: 10 bar.

Temperatura massima d'esercizio: 80°C.

Attacchi filettati 1" e 1"1/4: ISO228

(equivalente a DIN EN ISO 228 e BS EN ISO 228).

Derivazioni: da 3 a 13 con attacco 1/2" o G3/4" eurokonus.

Interasse derivazioni: mm.50.

Consisting of:

- 1 return manifold in brass with shut-off valves preset for electrothermal actuators.

- 1 flow manifold in brass with flow meters. - 2 complete metal brackets. - 2 shut-off ball valves. - 2 unions with thermometers. - 2 end pieces with air vent valve and drain cock.

Available sizes: 1" and 1"1/4.

Maximum working pressure: 10 bar.

Maximum working temperature: 80°C.

Threads 1" and 1"1/4: ISO228

(equivalent to DIN EN ISO 228 and BS EN ISO 228).

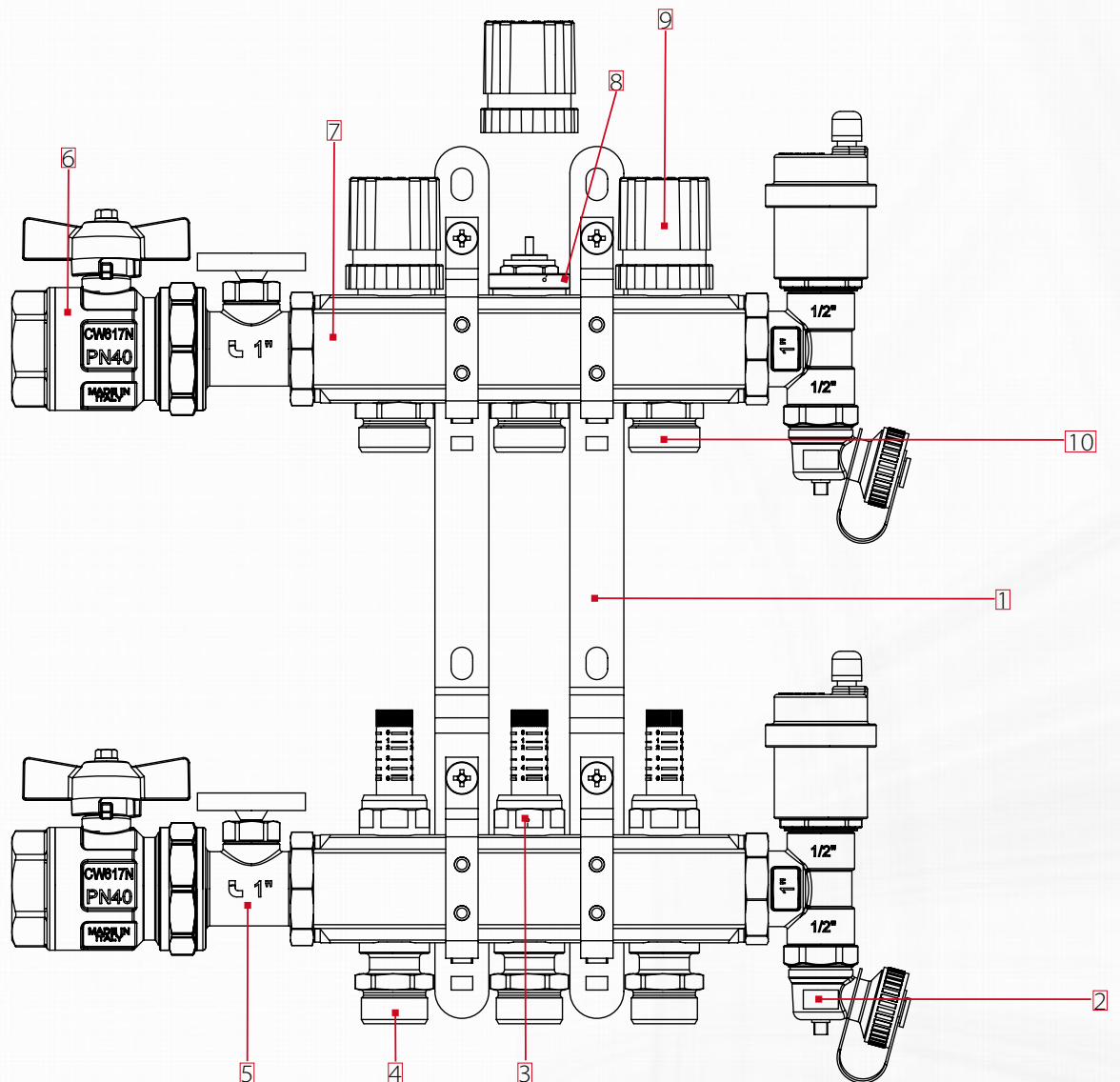
Outlets: from 3 to 13, 1/2" or G3/4" eurokonus.

Outlet centre distance: mm.50.

MISURA/SIZE	1"x1/2"x3	1"x1/2"x4	1"x1/2"x5	1"x1/2"x6	1"x1/2"x7	1"x1/2"x8	1"x1/2"x9	1"x1/2"x10	1"x1/2"x11	1"x1/2"x12	1"x1/2"x13
PRESSIONE/PRESSURE	10bar/145psi	10bar/145psi	10bar/145psi	10bar/145psi	10bar/145psi	10bar/145psi	10bar/145psi	10bar/145psi	10bar/145psi	10bar/145psi	10bar/145psi
CODICE/CODE	9050010003012	9050010004012	9050010005012	9050010006012	9050010007012	9050010008012	9050010009012	9050010010012	9050010011012	9050010012012	9050010013012
IMBALLO/PACKING	1/1	1/1	1/1	1/1	1/1	1/1	1/1	1/1	1/1	1/1	1/1
MISURA/SIZE	1"x3/4"x3	1"x3/4"x4	1"x3/4"x5	1"x3/4"x6	1"x3/4"x7	1"x3/4"x8	1"x3/4"x9	1"x3/4"x10	1"x3/4"x11	1"x3/4"x12	1"x3/4"x13
PRESSIONE/PRESSURE	10bar/145psi	10bar/145psi	10bar/145psi	10bar/145psi	10bar/145psi	10bar/145psi	10bar/145psi	10bar/145psi	10bar/145psi	10bar/145psi	10bar/145psi
CODICE/CODE	9050010003034	9050010004034	9050010005034	9050010006034	9050010007034	9050010008034	9050010009034	9050010010034	9050010011034	9050010012034	9050010013034
IMBALLO/PACKING	1/1	1/1	1/1	1/1	1/1	1/1	1/1	1/1	1/1	1/1	1/1

MISURA/SIZE	1"1/4x3/4"x3	1"1/4x3/4"x4	1"1/4x3/4"x5	1"1/4x3/4"x6	1"1/4x3/4"x7	1"1/4x3/4"x8	1"1/4x3/4"x9	1"1/4x3/4"x10	1"1/4x3/4"x11	1"1/4x3/4"x12	1"1/4x3/4"x13
PRESSIONE/PRESSURE	10bar/145psi	10bar/145psi	10bar/145psi	10bar/145psi	10bar/145psi	10bar/145psi	10bar/145psi	10bar/145psi	10bar/145psi	10bar/145psi	10bar/145psi
CODICE/CODE	9050011403034	9050011404034	9050011405034	9050011406034	9050011407034	9050011408034	9050011409034	9050011410034	9050011411034	9050011412034	9050011413034
IMBALLO/PACKING	1/1	1/1	1/1	1/1	1/1	1/1	1/1	1/1	1/1	1/1	1/1



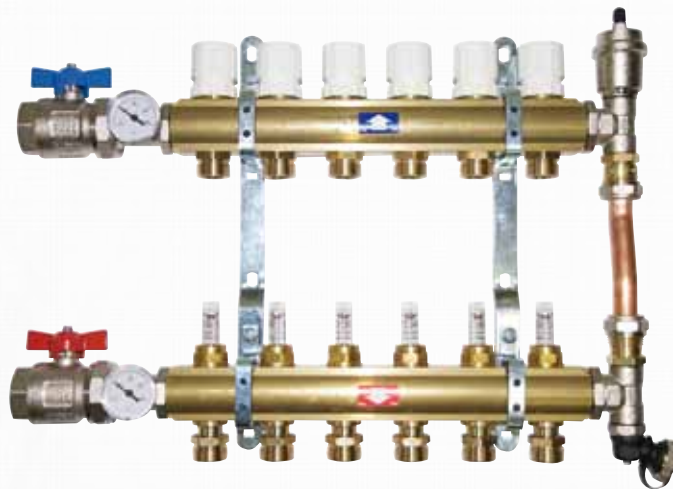


POS.	DESCRIZIONE/DESCRIPTION	Q.TA/N.	MATERIALE/MATERIAL
1	Staffe di fissaggio per cassetta metallica / <i>Mounting brackets for metal boxes</i>	2	Acciaio / <i>Steel P11</i>
2	Gruppo di sfiato scarico automatico / <i>Automatic ai vent group</i>	2	CW617N + polymer
3	Flussimetro / <i>Flowmeter</i>	3	Corpo in ottone/ <i>Body in brass</i>
4	Raccordo intermedio per flussimetro / <i>Adapter for flowmeter</i>	3	CW614N
5	Raccordo portatermometro / <i>Thermometer fitting</i>	2	CW617N
6	Valvola IDEAL oer collettori / <i>IDEAL ball valve for manifolds</i>	2	CW617N
7	Collettore / <i>Manifold</i>	2	CW614N
8	Vitone termostatico / <i>Convertible control spindle</i>	3	Ottone / <i>Brass</i>
9	Volantino / <i>hand-wheel</i>	3	ABS
10	Raccordo intermedio / <i>Male-male adapter</i>	3	CW614N

Collettore premontato completo con flussimetri e by-pass
 Complete pre-assembled manifold with flow meters and by-pass

905BY

VOCI DI CAPITOLATO - TECHNICAL FEATURES



Composto da:

- 1 collettore di ritorno in ottone con valvole di intercettazione predisposte per comando elettrotermico.
- 1 collettore di mandata in ottone con flussimetri.
- 2 staffe metalliche complete.
- 2 valvole a sfera di intercettazione.
- 2 bocchettoni con termometro
- 2 gruppi terminali con valvola di sfogo aria e rubinetto di scarico.
- 1 kit di by-pass eccentrico con taratura fissa a 0,25 bar.

Misure disponibili: 1" e 1"1/4.

Pressione massima d'esercizio: 10 bar.

Temperatura massima d'esercizio: 80°C.

Attacchi filettati 1" e 1"1/4: ISO228

(equivalente a DIN EN ISO 228 e BS EN ISO 228).

Derivazioni: da 3 a 13 con attacco 1/2" o G3/4" eurokonus.

Interasse derivazioni: mm.50.

Consisting of:

- 1 return manifold in brass with shut-off valves preset for electrothermal actuators.
- 1 flow manifold in brass with flow meters.
- 2 complete metal brackets.
- 2 shut-off ball valves.
- 2 unions with thermometers.
- 2 end pieces with air vent valve and drain cock.
- 1 off-centre by pass kit with a fixed setting at 0,25 bar.

Available sizes: 1" and 1"1/4.

Maximum working pressure: 10 bar.

Maximum working temperature: 80°C.

Threads 1" and 1"1/4: ISO228

(equivalent to DIN EN ISO 228 and BS EN ISO 228).

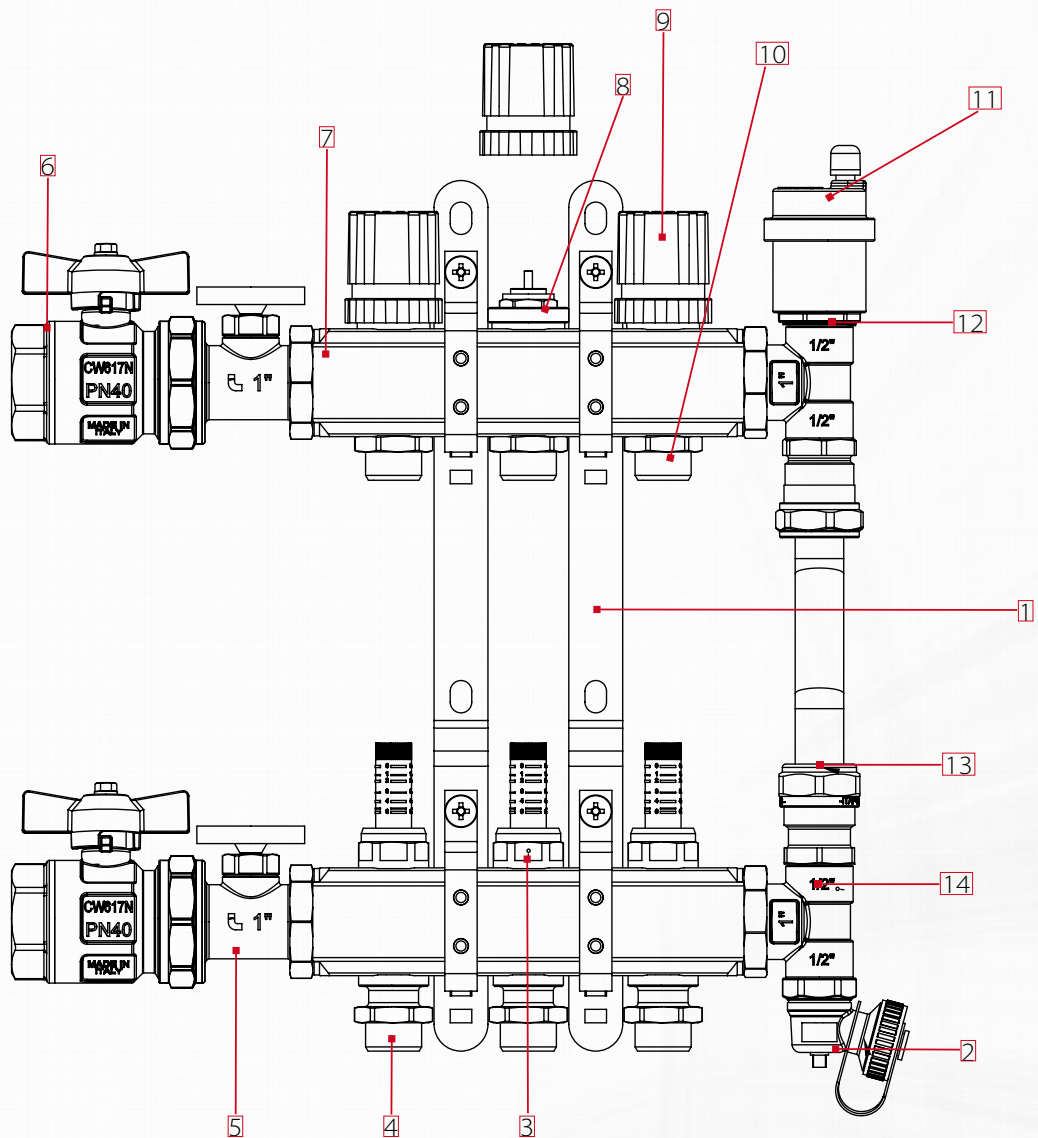
Outlets: from 3 to 13, 1/2" or G3/4" eurokonus.

Outlet centre distance: mm.50.

MISURA/SIZE	1"x1/2"x3	1"x1/2"x4	1"x1/2"x5	1"x1/2"x6	1"x1/2"x7	1"x1/2"x8	1"x1/2"x9	1"x1/2"x10	1"x1/2"x11	1"x1/2"x12	1"x1/2"x13
PRESSIONE/PRESSURE	10bar/145psi	10bar/145psi	10bar/145psi	10bar/145psi	10bar/145psi	10bar/145psi	10bar/145psi	10bar/145psi	10bar/145psi	10bar/145psi	10bar/145psi
CODICE/CODE	905BY10003012	905BY10004012	905BY10005012	905BY10006012	905BY10007012	905BY10008012	905BY10009012	905BY10010012	905BY10011012	905BY10012012	905BY10013012
IMBALLO/PACKING	1/1	1/1	1/1	1/1	1/1	1/1	1/1	1/1	1/1	1/1	1/1
MISURA/SIZE	1"x3/4"x3	1"x3/4"x4	1"x3/4"x5	1"x3/4"x6	1"x3/4"x7	1"x3/4"x8	1"x3/4"x9	1"x3/4"x10	1"x3/4"x11	1"x3/4"x12	1"x3/4"x13
PRESSIONE/PRESSURE	10bar/145psi	10bar/145psi	10bar/145psi	10bar/145psi	10bar/145psi	10bar/145psi	10bar/145psi	10bar/145psi	10bar/145psi	10bar/145psi	10bar/145psi
CODICE/CODE	905BY10003034	905BY10004034	905BY10005034	905BY10006034	905BY10007034	905BY10008034	905BY10009034	905BY10010034	905BY10011034	905BY10012034	905BY10013034
IMBALLO/PACKING	1/1	1/1	1/1	1/1	1/1	1/1	1/1	1/1	1/1	1/1	1/1

MISURA/SIZE	1"1/4x3/4"x3	1"1/4x3/4"x4	1"1/4x3/4"x5	1"1/4x3/4"x6	1"1/4x3/4"x7	1"1/4x3/4"x8	1"1/4x3/4"x9	1"1/4x3/4"x10	1"1/4x3/4"x11	1"1/4x3/4"x12	1"1/4x3/4"x13
PRESSIONE/PRESSURE	10bar/145psi	10bar/145psi	10bar/145psi	10bar/145psi	10bar/145psi	10bar/145psi	10bar/145psi	10bar/145psi	10bar/145psi	10bar/145psi	10bar/145psi
CODICE/CODE	905BY11403034	905BY11404034	905BY11405034	905BY11406034	905BY11407034	905BY11408034	905BY11409034	905BY11410034	905BY11411034	905BY11412034	905BY11413034
IMBALLO/PACKING	1/1	1/1	1/1	1/1	1/1	1/1	1/1	1/1	1/1	1/1	1/1

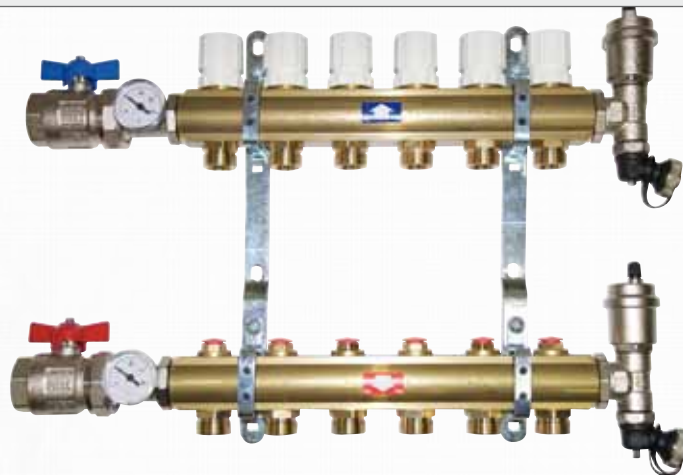




POS.	DESCRIZIONE/DESCRIPTION	Q.TÀ/N.	MATERIALE/MATERIAL
1	Staffe di fissaggio per cassetta metallica / <i>Mounting brackets for metal boxes</i>	2	Acciaio / <i>Steel P11</i>
2	Gruppo di sfiato scarico automatico / <i>Automatic air vent group</i>	2	CW617N + polymer
3	Flussimetro / <i>Flowmeter</i>	3	Corpo in ottone / <i>Body in brass</i>
4	Raccordo intermedio per flussimetro / <i>Adapter for flowmeter</i>	3	CW614N
5	Raccordo portatermometro / <i>Thermometer fitting</i>	2	CW617N
6	Valvola IDEAL oer collettori / <i>IDEAL ball valve for manifolds</i>	2	CW617N
7	Collettore / <i>Manifold</i>	2	CW614N
8	Vitone termostatico / <i>Convertible control spindle</i>	3	Ottone / <i>Brass</i>
9	Volantino / <i>hand-wheel</i>	3	ABS
10	Raccordo intermedio / <i>Male-male adapter</i>	3	CW614N
11	Valvola di sfogo aria / <i>Automatic air vent valve</i>	1	CW617N
12	O-ring	1	EPDM 70SH/A
13	Kit by-pass eccentrico / <i>Off-centre by-pass kit</i>	1	CW614N
14	Raccordo terminale maschio / <i>Swinging terminal for manifolds</i>	2	CW617N



VOCI DI CAPITOLATO - TECHNICAL FEATURES



Composto da:

- 1 collettore di ritorno in ottone con valvole di intercettazione predisposte per comando elettrotermico.
- 1 collettore di mandata in ottone con detentori.
- 2 staffe metalliche complete.
- 2 valvole a sfera di intercettazione.
- 2 bocchettoni con termometro
- 2 gruppi terminali con valvola di sfogo aria e rubinetto di scarico.

Misure disponibili: 1" e 1"1/4.

Pressione massima d'esercizio: 10 bar.

Temperatura massima d'esercizio: 80°C.

Attacchi filettati 1" e 1"1/4: ISO228

(equivalente a DIN EN ISO 228 e BS EN ISO 228).

Derivazioni: da 3 a 13 con attacco 1/2" o G3/4" eurokonus.

Interasse derivazioni: mm.50.

Consisting of:

- 1 return manifold in brass with shut-off valves preset for electrothermal actuators.
- 1 flow manifold in brass with lockshields.
- 2 complete metal brackets.
- 2 shut-off ball valves.
- 2 unions with thermometer.
- 2 end pieces with air-vent valve and drain cock.

Available sizes: 1" and 1"1/4.

Maximum working pressure: 10 bar.

Maximum working temperature: 80°C.

Threads 1" and 1"1/4: ISO228

(equivalent to DIN EN ISO 228 and BS EN ISO 228).

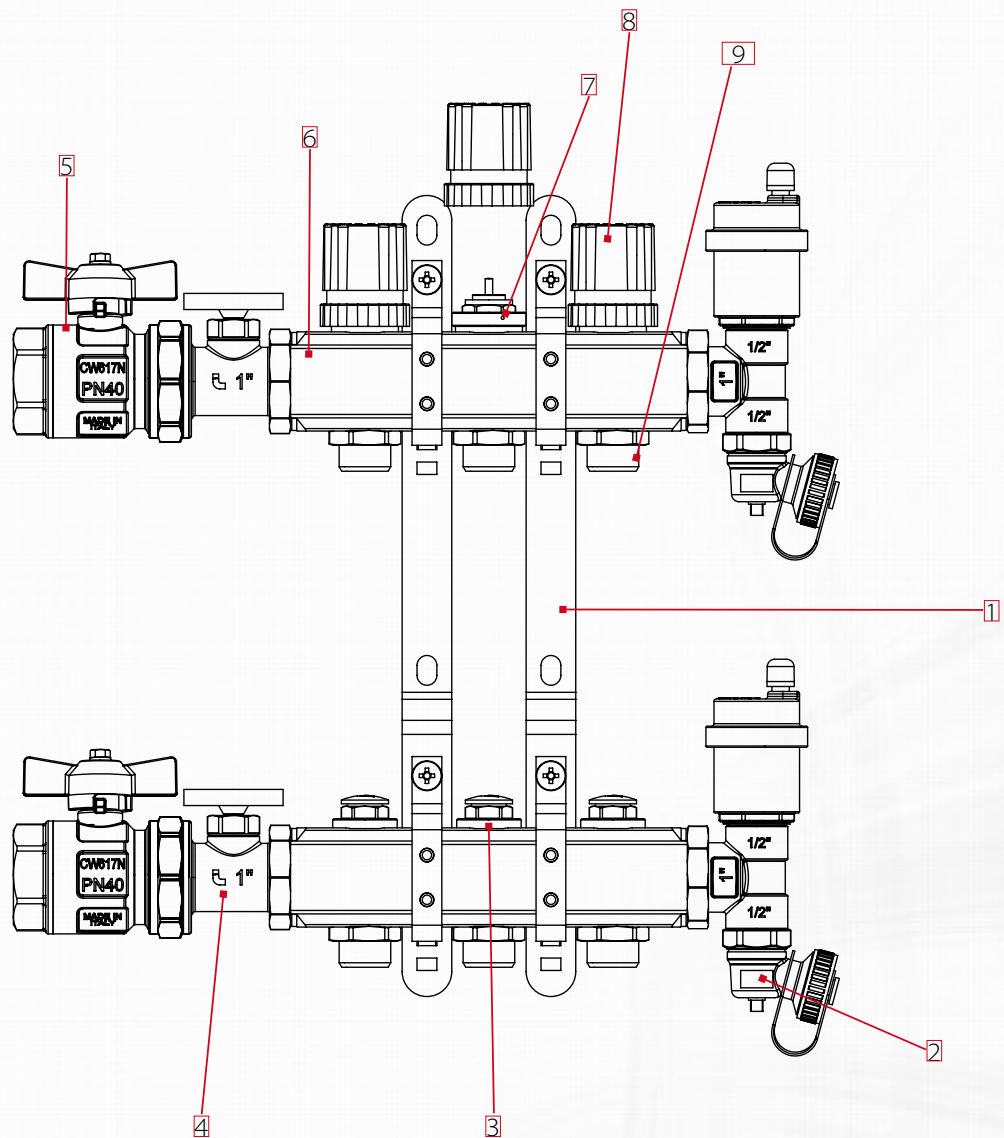
Outlets: from 3 to 13 - 1/2" or G3/4" eurokonus.

Outlets centre distance: mm.50.

MISURA/SIZE	1"x1/2"x3	1"x1/2"x4	1"x1/2"x5	1"x1/2"x6	1"x1/2"x7	1"x1/2"x8	1"x1/2"x9	1"x1/2"x10	1"x1/2"x11	1"x1/2"x12	1"x1/2"x13
PRESSIONE/PRESSURE	10bar/145psi	10bar/145psi	10bar/145psi	10bar/145psi	10bar/145psi	10bar/145psi	10bar/145psi	10bar/145psi	10bar/145psi	10bar/145psi	10bar/145psi
CODICE/CODE	9100010003012	9100010004012	9100010005012	9100010006012	9100010007012	9100010008012	9100010009012	9100010010012	9100010011012	9100010012012	9100010013012
IMBALLO/PACKING	1/1	1/1	1/1	1/1	1/1	1/1	1/1	1/1	1/1	1/1	1/1
MISURA/SIZE	1"x3/4"x3	1"x3/4"x4	1"x3/4"x5	1"x3/4"x6	1"x3/4"x7	1"x3/4"x8	1"x3/4"x9	1"x3/4"x10	1"x3/4"x11	1"x3/4"x12	1"x3/4"x13
PRESSIONE/PRESSURE	10bar/145psi	10bar/145psi	10bar/145psi	10bar/145psi	10bar/145psi	10bar/145psi	10bar/145psi	10bar/145psi	10bar/145psi	10bar/145psi	10bar/145psi
CODICE/CODE	9100010003034	9100010004034	9100010005034	9100010006034	9100010007034	9100010008034	9100010009034	9100010010034	9100010011034	9100010012034	9100010013034
IMBALLO/PACKING	1/1	1/1	1/1	1/1	1/1	1/1	1/1	1/1	1/1	1/1	1/1

MISURA/SIZE	1"1/4x3/4"x3	1"1/4x3/4"x4	1"1/4x3/4"x5	1"1/4x3/4"x6	1"1/4x3/4"x7	1"1/4x3/4"x8	1"1/4x3/4"x9	1"1/4x3/4"x10	1"1/4x3/4"x11	1"1/4x3/4"x12	1"1/4x3/4"x13
PRESSIONE/PRESSURE	10bar/145psi	10bar/145psi	10bar/145psi	10bar/145psi	10bar/145psi	10bar/145psi	10bar/145psi	10bar/145psi	10bar/145psi	10bar/145psi	10bar/145psi
CODICE/CODE	9100011403034	9100011404034	9100011405034	9100011406034	9100011407034	9100011408034	9100011409034	9100011410034	9100011411034	9100011412034	9100011413034
IMBALLO/PACKING	1/1	1/1	1/1	1/1	1/1	1/1	1/1	1/1	1/1	1/1	1/1





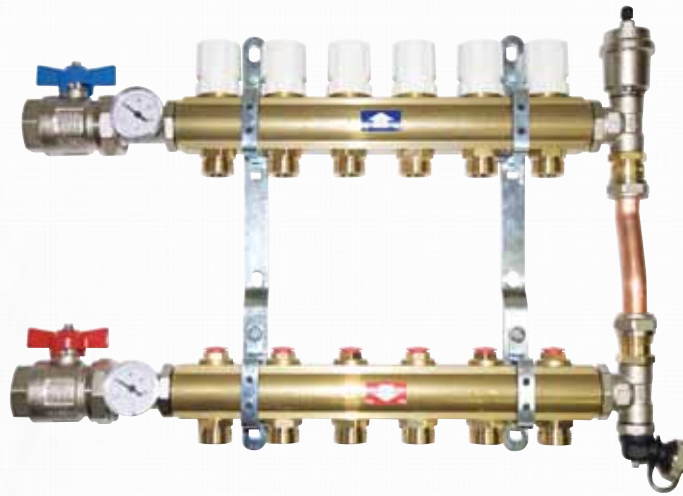
POS.	DESCRIZIONE/DESCRIPTION	Q.TÀ/N.	MATERIALE/MATERIAL
1	Staffe di fissaggio per cassetta metallica / <i>Mounting brackets for metal boxes</i>	2	Acciaio / <i>Steel P11</i>
2	Gruppo di sfiato scarico automatico / <i>Automatic ai vent group</i>	2	CW617N + polymer
3	Vitone detentore / <i>Loskshield spindle</i>	3	CW614N
4	Raccordo portatermometro / <i>Thermometer fitting</i>	3	CW617N
5	Valvola IDEAL oer collettori / <i>IDEAL ball valve for manifolds</i>	2	CW617N
6	Collettore / <i>Manifold</i>	2	CW614N
7	Vitone termostatico / <i>Convertible control spindle</i>	3	Ottone / <i>Brass</i>
8	Volantino / <i>hand-wheel</i>	3	ABS
9	Raccordo intermedio / <i>Male-male adapter</i>	6	CW614N



Collettore premontato completo con detentori e by-pass
 Complete pre-assembled manifold with lockshields and by-pass

910BY

VOCI DI CAPITOLATO - TECHNICAL FEATURES



Composto da:

- 1 collettore di ritorno in ottone con valvole di intercettazione predisposte per comando elettrotermico.
- 1 collettore di mandata in ottone con detentori.
- 2 staffe metalliche complete.
- 2 valvole a sfera di intercettazione.
- 2 bocchettoni con termometro
- 2 gruppi terminali con valvola di sfogo aria e rubinetto di scarico.
- 1 kit di by-pass eccentrico con taratura fissa a 0,25 bar.

Misure disponibili: 1" e 1 1/4".

Pressione massima d'esercizio: 10 bar.

Temperatura massima d'esercizio: 80°C.

Attacchi filettati 1" e 1 1/4": ISO228 (equivalente a DIN EN ISO 228 e BS EN ISO 228).

Derivazioni: da 3 a 13 con attacco 1/2" o G3/4" eurokonus.

Interasse derivazioni: mm.50.

Consisting of:

- 1 return manifold in brass with shut-off valves preset for electrothermal actuators.
- 1 flow manifold in brass with lockshields.
- 2 complete metal brackets.
- 2 shut-off ball valves.
- 2 unions with thermometer.
- 2 end pieces with air vent valve and drain cock.
- 1 off-centre by-pass kit with a fixed setting at 0,25 bar.

Available sizes: 1" and 1 1/4".

Maximum working pressure: 10 bar.

Maximum working temperature: 80°C.

Threads 1" and 1 1/4": ISO228

(equivalent to DIN EN ISO 228 and BS EN ISO 228).

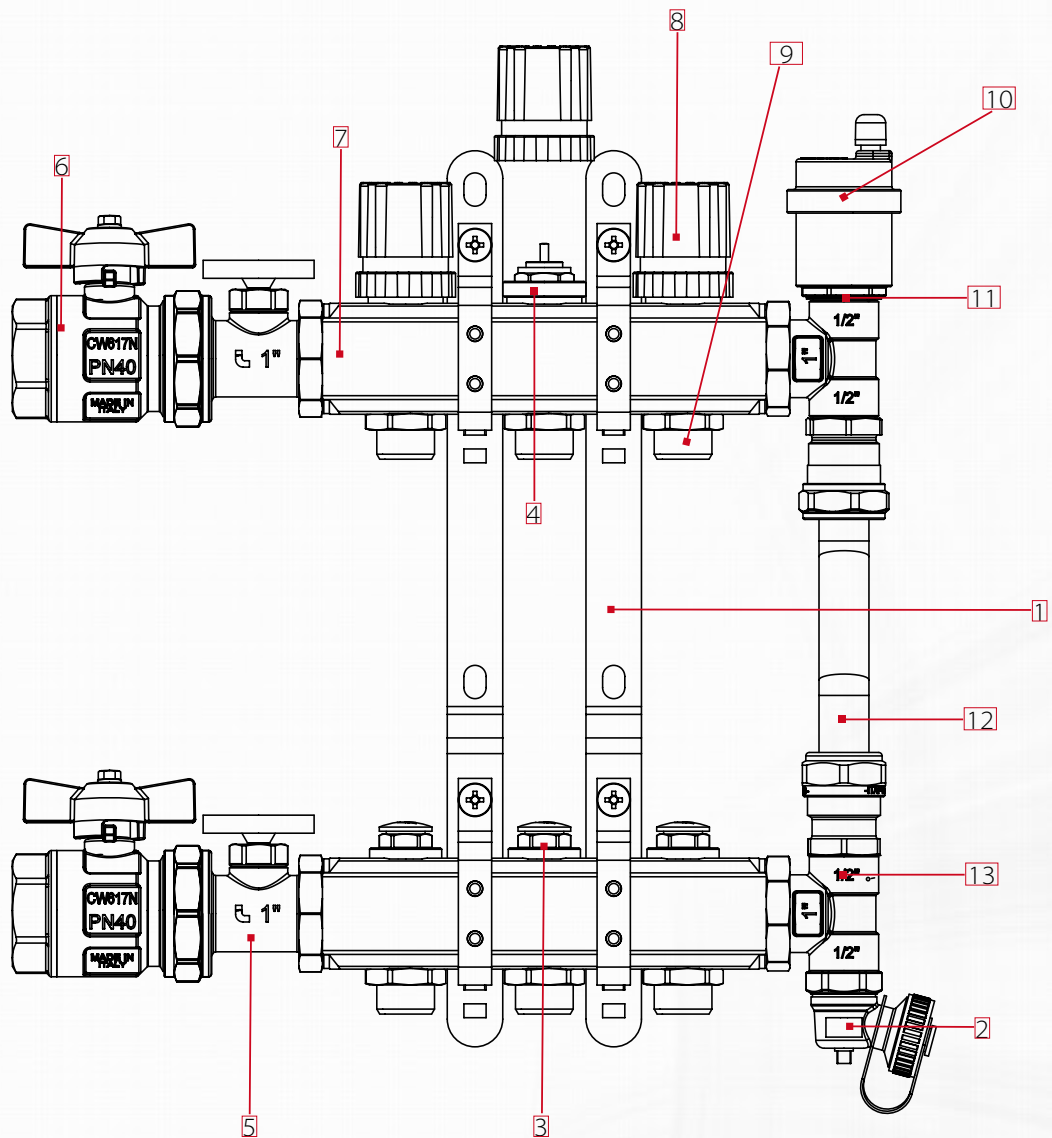
Outlets: from 3 to 13 - 1/2" or G3/4" eurokonus.

Outlets centre distance: mm.50.

MISURA/SIZE	1"x1/2"x3	1"x1/2"x4	1"x1/2"x5	1"x1/2"x6	1"x1/2"x7	1"x1/2"x8	1"x1/2"x9	1"x1/2"x10	1"x1/2"x11	1"x1/2"x12	1"x1/2"x13
PRESSIONE/PRESSURE	10bar/145psi	10bar/145psi	10bar/145psi	10bar/145psi	10bar/145psi	10bar/145psi	10bar/145psi	10bar/145psi	10bar/145psi	10bar/145psi	10bar/145psi
CODICE/CODE	910BY10003012	910BY10004012	910BY10005012	910BY10006012	910BY10007012	910BY10008012	910BY10009012	910BY10010012	910BY10011012	910BY10012012	910BY10013012
IMBALLO/PACKING	1/1	1/1	1/1	1/1	1/1	1/1	1/1	1/1	1/1	1/1	1/1
MISURA/SIZE	1"x3/4"x3	1"x3/4"x4	1"x3/4"x5	1"x3/4"x6	1"x3/4"x7	1"x3/4"x8	1"x3/4"x9	1"x3/4"x10	1"x3/4"x11	1"x3/4"x12	1"x3/4"x13
PRESSIONE/PRESSURE	10bar/145psi	10bar/145psi	10bar/145psi	10bar/145psi	10bar/145psi	10bar/145psi	10bar/145psi	10bar/145psi	10bar/145psi	10bar/145psi	10bar/145psi
CODICE/CODE	910BY10003034	910BY10004034	910BY10005034	910BY10006034	910BY10007034	910BY10008034	910BY10009034	910BY10010034	910BY10011034	910BY10012034	910BY10013034
IMBALLO/PACKING	1/1	1/1	1/1	1/1	1/1	1/1	1/1	1/1	1/1	1/1	1/1

MISURA/SIZE	1"1/4x3/4"x3	1"1/4x3/4"x4	1"1/4x3/4"x5	1"1/4x3/4"x6	1"1/4x3/4"x7	1"1/4x3/4"x8	1"1/4x3/4"x9	1"1/4x3/4"x10	1"1/4x3/4"x11	1"1/4x3/4"x12	1"1/4x3/4"x13
PRESSIONE/PRESSURE	10bar/145psi	10bar/145psi	10bar/145psi	10bar/145psi	10bar/145psi	10bar/145psi	10bar/145psi	10bar/145psi	10bar/145psi	10bar/145psi	10bar/145psi
CODICE/CODE	910BY11403034	910BY11404034	910BY11405034	910BY11406034	910BY11407034	910BY11408034	910BY11409034	910BY11410034	910BY11411034	910BY11412034	910BY11413034
IMBALLO/PACKING	1/1	1/1	1/1	1/1	1/1	1/1	1/1	1/1	1/1	1/1	1/1

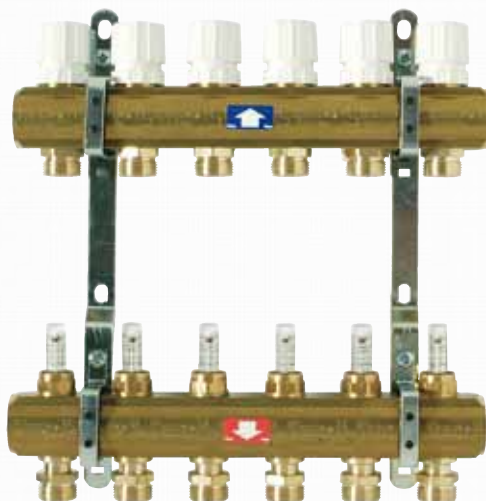




POS.	DESCRIZIONE/DESCRIPTION	Q.TÀ/N.	MATERIALE/MATERIAL
1	Staffe di fissaggio per cassetta metallica / Mounting brackets for metal boxes	2	Acciaio / Steel P11
2	Scarico orientabile / Drainage valve with adjustable outflow	2	CW617N + polymer
3	Vitone detentore / Lockshield spindle	3	CW614N
4	Vitone termostatico / Convertible control spindle	3	Ottone / Brass
5	Raccordo portatermometro / Thermometer fitting	2	CW617N
6	Valvola IDEAL oer collettori / IDEAL ball valve for manifolds	2	CW617N
7	Collettore / Manifold	2	CW614N
8	Volantino /hand-wheel	3	ABS
9	Raccordo intermedio / Male-male adapter	3	CW614N
10	Sfiato automatico / Automatic air vent valve	1	CW617N
11	O-ring	1	EPDM 70SH/A
12	Kit by-pass eccentrico / Off-centre by-pass kit	1	CW614N
13	Raccordo terminale maschio / Swinging terminal for manifolds	2	CW617N



VOCI DI CAPITOLATO - TECHNICAL FEATURES



Composto da:

- 1 collettore di ritorno in ottone con valvole di intercettazione predisposte per comando elettrotermico. - 1 collettore di mandata in ottone con flussimetri. - 2 staffe metalliche complete.

Misure disponibili: 1" e 1"1/4.

Pressione massima d'esercizio: 10 bar.

Temperatura massima d'esercizio: 80°C.

Attacchi filettati 1" e 1"1/4: ISO228

(equivalente a DIN EN ISO 228 e BS EN ISO 228).

Derivazioni: da 3 a 13 con attacco 1/2" o G3/4" eurokonus.

Interasse derivazioni: mm.50.

Consisting of:

- 1 return manifold in brass with shut-off valves preset for electrothermal actuators. - 1 flow manifold in brass with flow meters. - 2 complete metal brackets.

Available sizes: 1" and 1"1/4.

Maximum working pressure: 10 bar.

Maximum working temperature: 80°C.

Threads 1" and 1"1/4: ISO228

(equivalent to DIN EN ISO 228 and BS EN ISO 228).

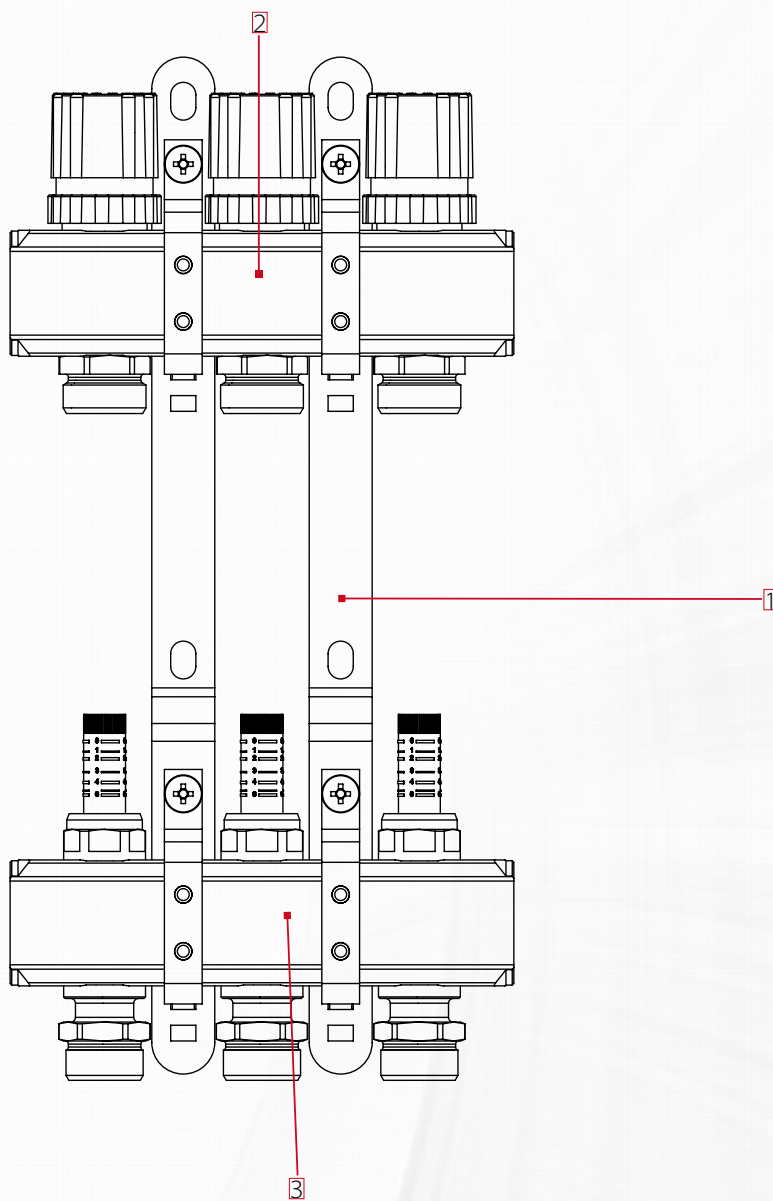
Outlets: from 3 to 13 - 1/2" or G3/4" eurokonus.

Outlets centre distance: mm.50.

MISURA/SIZE	1"x1/2"x3	1"x1/2"x4	1"x1/2"x5	1"x1/2"x6	1"x1/2"x7	1"x1/2"x8	1"x1/2"x9	1"x1/2"x10	1"x1/2"x11	1"x1/2"x12	1"x1/2"x13
PRESSIONE/PRESSURE	10bar/145psi	10bar/145psi	10bar/145psi	10bar/145psi	10bar/145psi	10bar/145psi	10bar/145psi	10bar/145psi	10bar/145psi	10bar/145psi	10bar/145psi
CODICE/CODE	9150010003012	9150010004012	9150010005012	9150010006012	9150010007012	9150010008012	9150010009012	9150010010012	9150010011012	9150010012012	9150010013012
IMBALLO/PACKING	1/1	1/1	1/1	1/1	1/1	1/1	1/1	1/1	1/1	1/1	1/1
MISURA/SIZE	1"x3/4"x3	1"x3/4"x4	1"x3/4"x5	1"x3/4"x6	1"x3/4"x7	1"x3/4"x8	1"x3/4"x9	1"x3/4"x10	1"x3/4"x11	1"x3/4"x12	1"x3/4"x13
PRESSIONE/PRESSURE	10bar/145psi	10bar/145psi	10bar/145psi	10bar/145psi	10bar/145psi	10bar/145psi	10bar/145psi	10bar/145psi	10bar/145psi	10bar/145psi	10bar/145psi
CODICE/CODE	9150010003034	9150010004034	9150010005034	9150010006034	9150010007034	9150010008034	9150010009034	9150010010034	9150010011034	9150010012034	9150010013034
IMBALLO/PACKING	1/1	1/1	1/1	1/1	1/1	1/1	1/1	1/1	1/1	1/1	1/1

MISURA/SIZE	1"1/4x3/4"x3	1"1/4x3/4"x4	1"1/4x3/4"x5	1"1/4x3/4"x6	1"1/4x3/4"x7	1"1/4x3/4"x8	1"1/4x3/4"x9	1"1/4x3/4"x10	1"1/4x3/4"x11	1"1/4x3/4"x12	1"1/4x3/4"x13
PRESSIONE/PRESSURE	10bar/145psi	10bar/145psi	10bar/145psi	10bar/145psi	10bar/145psi	10bar/145psi	10bar/145psi	10bar/145psi	10bar/145psi	10bar/145psi	10bar/145psi
CODICE/CODE	9150011403034	9150011404034	9150011405034	9150011406034	9150011407034	9150011408034	9150011409034	9150011410034	9150011411034	9150011412034	9150011413034
IMBALLO/PACKING	1/1	1/1	1/1	1/1	1/1	1/1	1/1	1/1	1/1	1/1	1/1

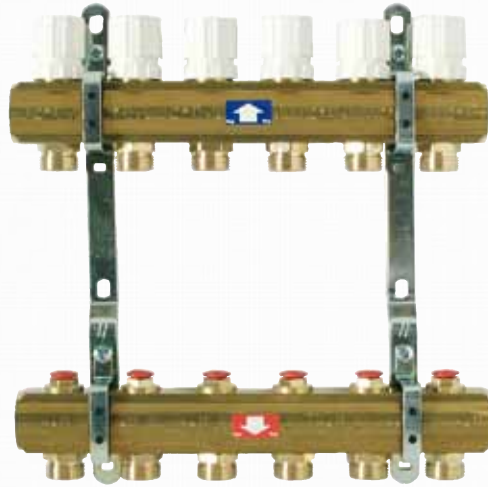




POS.	DESCRIZIONE/DESCRIPTION	Q.TÀ/N.	MATERIALE/MATERIAL
1	Staffe di fissaggio per cassetta metallica / <i>Mounting brackets for metal boxes</i>	2	Acciaio / <i>Steel P11</i>
2	Collettore singolo con valvole di intercettazione / <i>Manifold with shut-off valves</i>	1	CW614N
3	Collettore singolo con flussimetri / <i>Manifold with flow meters</i>	1	CW614N



VOCI DI CAPITOLATO - TECHNICAL FEATURES



Composto da:

- 1 collettore di ritorno in ottone con valvole di intercettazione predisposte per comando elettrotermico. - 1 collettore di mandata in ottone con detentori. - 2 staffe metalliche complete.

Misure disponibili: 1" e 1"1/4.

Pressione massima d'esercizio: 10 bar.

Temperatura massima d'esercizio: 80°C.

Attacchi filettati 1" e 1"1/4: ISO228

(equivalente a DIN EN ISO 228 e BS EN ISO 228).

Derivazioni: da 3 a 13 con attacco 1/2" o G3/4" eurokonus.

Interasse derivazioni: mm.50.

Consisting of:

- 1 return manifold in brass with shut-off valves preset for electrothermal actuators. - 1 flow manifold in brass with lockshields. - 2 complete metal brackets.

Available sizes: 1" and 1"1/4.

Maximum working pressure: 10 bar.

Maximum working temperature: 80°C.

Threads 1" and 1"1/4: ISO228

(equivalent to DIN EN ISO 228 and BS EN ISO 228).

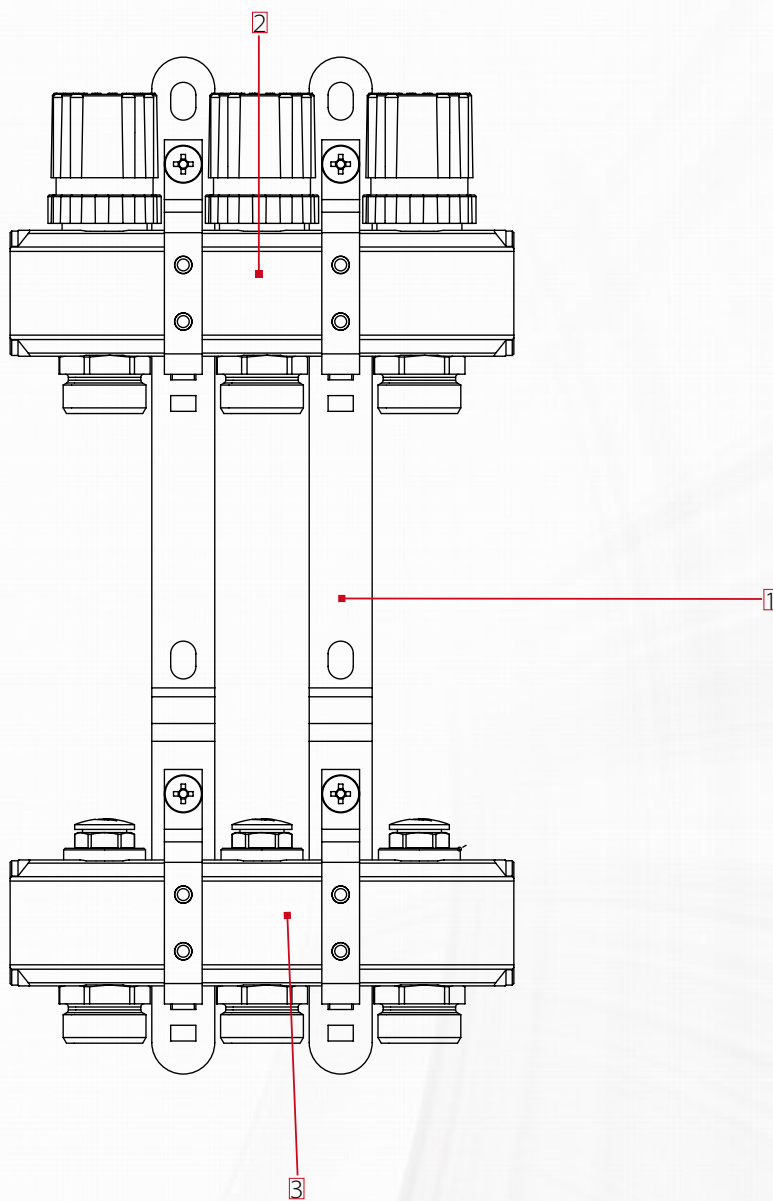
Outlets: from 3 to 13 - 1/2" or G3/4" eurokonus.

Outlets centre distance: mm.50.

MISURA/SIZE	1"x1/2"x3	1"x1/2"x4	1"x1/2"x5	1"x1/2"x6	1"x1/2"x7	1"x1/2"x8	1"x1/2"x9	1"x1/2"x10	1"x1/2"x11	1"x1/2"x12	1"x1/2"x13
PRESSIONE/PRESSURE	10bar/145psi	10bar/145psi	10bar/145psi	10bar/145psi	10bar/145psi	10bar/145psi	10bar/145psi	10bar/145psi	10bar/145psi	10bar/145psi	10bar/145psi
CODICE/CODE	9200010003012	9200010004012	9200010005012	9200010006012	9200010007012	9200010008012	9200010009012	9200010010012	9200010011012	9200010012012	9200010013012
IMBALLO/PACKING	1/1	1/1	1/1	1/1	1/1	1/1	1/1	1/1	1/1	1/1	1/1
MISURA/SIZE	1"x3/4"x3	1"x3/4"x4	1"x3/4"x5	1"x3/4"x6	1"x3/4"x7	1"x3/4"x8	1"x3/4"x9	1"x3/4"x10	1"x3/4"x11	1"x3/4"x12	1"x3/4"x13
PRESSIONE/PRESSURE	10bar/145psi	10bar/145psi	10bar/145psi	10bar/145psi	10bar/145psi	10bar/145psi	10bar/145psi	10bar/145psi	10bar/145psi	10bar/145psi	10bar/145psi
CODICE/CODE	9200010003034	9200010004034	9200010005034	9200010006034	9200010007034	9200010008034	9200010009034	9200010010034	9200010011034	9200010012034	9200010013034
IMBALLO/PACKING	1/1	1/1	1/1	1/1	1/1	1/1	1/1	1/1	1/1	1/1	1/1

MISURA/SIZE	1"1/4x3/4"x3	1"1/4x3/4"x4	1"1/4x3/4"x5	1"1/4x3/4"x6	1"1/4x3/4"x7	1"1/4x3/4"x8	1"1/4x3/4"x9	1"1/4x3/4"x10	1"1/4x3/4"x11	1"1/4x3/4"x12	1"1/4x3/4"x13
PRESSIONE/PRESSURE	10bar/145psi	10bar/145psi	10bar/145psi	10bar/145psi	10bar/145psi	10bar/145psi	10bar/145psi	10bar/145psi	10bar/145psi	10bar/145psi	10bar/145psi
CODICE/CODE	9200011403034	9200011404034	9200011405034	9200011406034	9200011407034	9200011408034	9200011409034	9200011410034	9200011411034	9200011412034	9200011413034
IMBALLO/PACKING	1/1	1/1	1/1	1/1	1/1	1/1	1/1	1/1	1/1	1/1	1/1





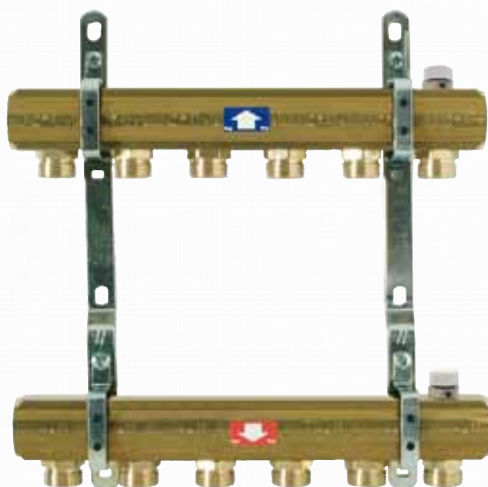
POS.	DESCRIZIONE/DESCRIPTION	Q.TÀ/N.	MATERIALE/MATERIAL
1	Staffe di fissaggio per cassetta metallica / <i>Mounting brackets for metal boxes</i>	2	Acciaio / <i>Steel P11</i>
2	Collettore singolo con valvole di intercettazione / <i>Manifold with shut-off valves</i>	1	CW614N
3	Collettore singolo con detentori / <i>Manifold with lockshields</i>	1	CW614N



Collettore premontato con sfogo aria
Complete pre-assembled manifold, with air vent valve

920MO

VOCI DI CAPITOLATO - *TECHNICAL FEATURES*



Composto da:
 - 1 collettore di ritorno in ottone con valvola di sfogo aria. - 1 collettore di mandata in ottone con valvola di sfogo aria. - 2 staffe metalliche complete.

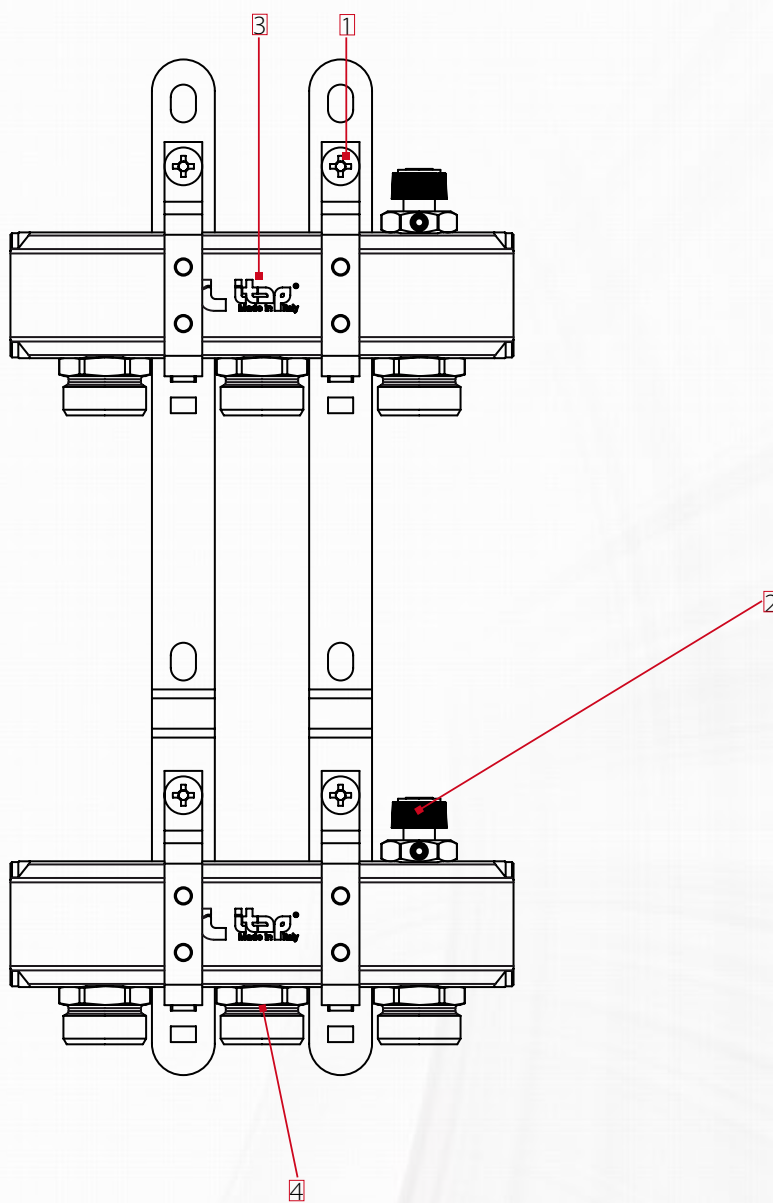
Misure disponibili: 1".
 Pressione massima d'esercizio: 10 bar.
 Temperatura massima d'esercizio: 80°C.
 Attacchi filettati 1": ISO228
 (equivalente a DIN EN ISO 228 e BS EN ISO 228).
 Derivazioni: da 2 a 12 con attacco G3/4" eurokonus.
 Interasse derivazioni: mm.50.

Consisting of:
 - 1 return manifold in brass with air vent valve. - 1 flow manifold in brass with air vent valve.

Available sizes: 1".
 Maximum working pressure: 10 bar.
 Maximum working temperature: 80°C.
 Threads 1": ISO228
 (equivalent to DIN EN ISO 228 and BS EN ISO 228).
 Outlets: from 2 to 12 - G3/4" eurokonus.
 Outlets centre distance: mm.50.

MISURA/SIZE	1"x3/4"x2	1"x3/4"x3	1"x3/4"x4	1"x3/4"x5	1"x3/4"x6	1"x3/4"x7	1"x3/4"x8	1"x3/4"x9	1"x3/4"x10	1"x3/4"x11	1"x3/4"x12
PRESSIONE/PRESSURE	10bar/145psi	10bar/145psi	10bar/145psi	10bar/145psi	10bar/145psi	10bar/145psi	10bar/145psi	10bar/145psi	10bar/145psi	10bar/145psi	10bar/145psi
CODICE/CODE	9200010002034MO	9200010003034MO	9200010004034MO	9200010005034MO	9200010006034MO	9200010007034MO	9200010008034MO	9200010009034MO	9200010010034MO	9200010011034MO	9200010012034MO
IMBALLO/PACKING	1/1	1/1	1/1	1/1	1/1	1/1	1/1	1/1	1/1	1/1	1/1

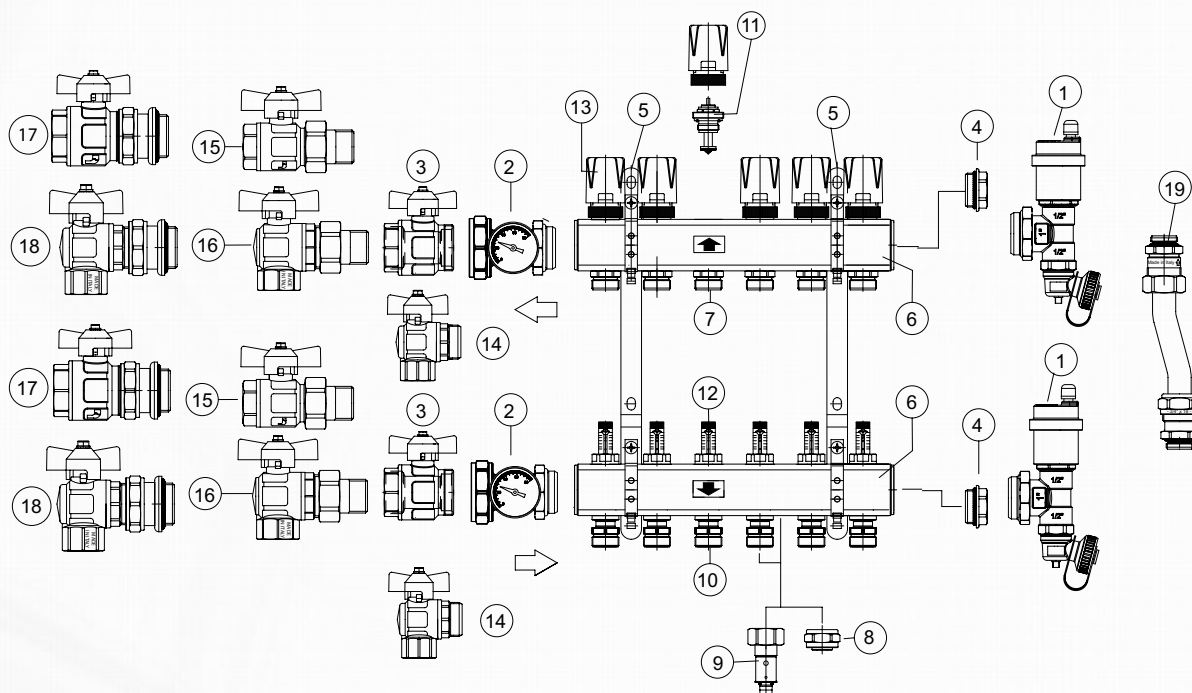




POS.	DESCRIZIONE/DESCRIPTION	Q.TA/N.	MATERIALE/MATERIAL
1	Staffe di fissaggio in acciaio / <i>Mounting brackets in steel</i>	2	Acciaio / <i>Steel P11</i>
2	Valvola di sfogo aria/ <i>Air vent valve</i>	2	CW614N
3	Collettore / <i>Manifold</i>	2	CW614N (PB3)
4	Raccordo maschio-maschio / <i>Male-male adapter</i>	1	CW614N



ACCESSORI PER IMPIANTI CON COLLETTORI DA BARRA PREMONTATI E COMANDI ELETTROTHERMICI
 ACCESSORIES FOR HEATING SYSTEMS WITH PRE-ASSEMBLED BAR MANIFOLDS AND ELECTROTHERMAL ACTUATORS



Pos.	Art.	Description	Chp.	Pg.
1	489A	Adjustable end piece with drain valve and automatic air vent valve	5	80
2	492BC	Thermometer union complete with thermometer	2	15
3	098 SDC	Ball valve for manifolds without union	2	14
4	494	Male end cap	5	82
5	498ST	Mounting brackets in steel for metal boxes	5	78
6	860	Brass bar manifold 1"-1"1/4	5	62
7	518 519	Male/male adapter 1" Male/male adapter 1"1/4	5	79
8	595	Nut and olive	6	105
9	510	Multi-Fit connector	6	93
10	471 472	Adapter for flow meters - 1" manifolds Adapter for flow meters - 1"1/4 manifolds	5	79

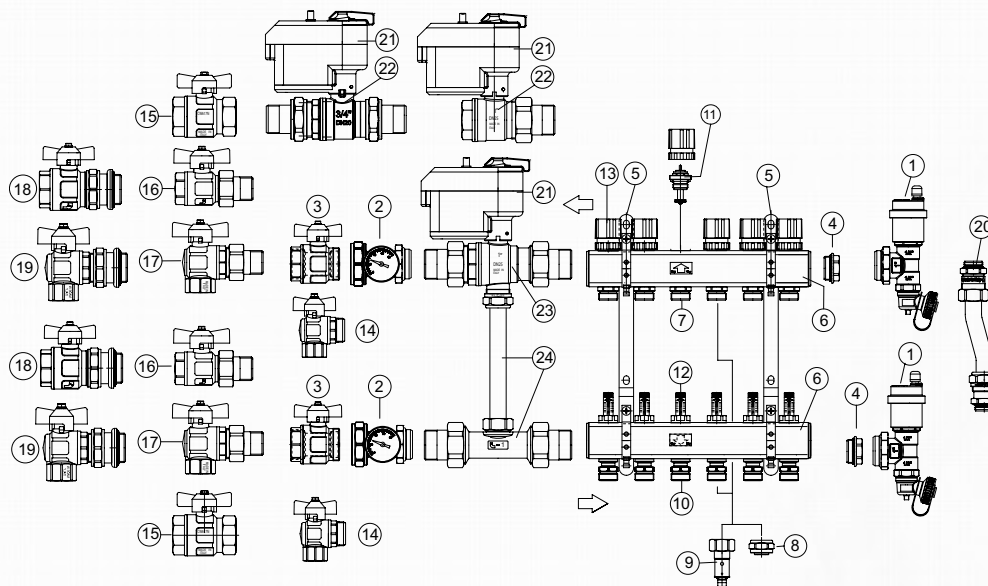
Pos.	Art.	Description	Chp.	Pg.
11	Vitonvat 100	Convertible control spindle	-	-
12	471FL	Flow-meter	5	79
13	891M	Electrothermal actuator	5	54
14	298 SDC	Angle ball valve for manifolds without union	2	15
15	098	Ball valve for manifolds	2	14
16	298	Angle ball valve for manifolds	2	15
17	098S	Ball valve for manifolds with o-ring	2	14
18	298S	Angle ball valve for manifolds with o-ring	2	15
19	860BY	Off-centre by-pass kit	5	78

Pos.	Art.	Descrizione	Cap.	Pg.
1	489A	Gruppo di sfiato scarico automatico	5	80
2	492BC	Bocchettone portatermometro orientabile con termometro	2	15
3	098 SDC	Valvola a sfera senza dado e codolo	2	14
4	494	Tappo cieco maschio	5	82
5	498ST	Coppia di staffe complete	5	78
6	860	Collettore da barra 1" e 1"1/4	5	62
7	518 519	Raccordo intermedio Raccordo per collettore 1"1/4	5	79
8	595	Raccordo per tubo rame	6	106
9	510	Raccordo per tubo multistrato	6	94
10	471 472	Raccordo per flussimetro collettore 1" Raccordo per flussimetro collettore 1"1/4	5	79

Pos.	Art.	Descrizione	Cap.	Pg.
11	Vitonvat 100	Vitone termostatico	-	-
12	471FL	Flussimetro	5	79
13	891M	Attuatore elettrotermico	5	54
14	298 SDC	Valvola a sfera ad angolo senza dado e codolo	2	15
15	098	Valvola a sfera con bocchettone per collettore	2	14
16	298	Valvola a sfera ad angolo con bocchettone per collettore	2	15
17	098S	Valvola a sfera con bocchettone per collettore	2	14
18	298S	Valvola a sfera a squadra con bocchettone per collettore	2	15
19	860BY	Bypass di terminale tarato a 0,25bar per 1" e 1"1/4	5	78



ACCESSORI PER IMPIANTI CON COLLETTORI DA BARRA PREMONTATI E VALVOLE DI ZONA
 ACCESSORIES FOR HEATING SYSTEMS WITH PRE-ASSEMBLED BAR MANIFOLDS AND ZONE VALVES



Pos.	Art.	Description	Chp.	Pg.	Pos.	Art.	Description	Chp.	Pg.
1	489A	Adjustable end piece with drain valve and automatic air vent valve	5	80	13	894VM	Handle	-	-
2	492BC	Thermometer union complete with thermometer	2	15	14	298 SDC	Angle ball valve for manifolds without union	2	15
3	098 SDC	Ball valve for manifolds without union	2	14	15	092	Ball valve F/F, T handle	2	13
4	494	Male end cap	5	82	16	098	Ball valve for manifolds	2	14
5	498ST	Mounting brackets in steel for metal boxes	5	78	17	298	Angle ball valve for manifolds	2	15
6	860	Brass bar manifold 1"-1 1/4"	5	62	18	098S	Ball valve for manifolds with o-ring	2	14
7	518 519	Male/male adapter 1" Male/male adapter 1 1/4"	5	79	19	298S	Angle ball valve for manifolds with o-ring	2	15
8	595	Nut and olive	6	105	20	860BY	Off-centre by-pass kit	5	78
9	510	Multi-Fit connector	6	93	21	990 991	Electric actuator for zone ball valves	5	58
10	471 472	Adapter for flow meters - 1" manifolds Adapter for flow meters - 1 1/4" manifolds	5	79	22	980 981	2-way zone ball valve 2-way zone ball valve MM	5	58
11	Vitonvat 100	Convertible control spindle	-	-	23	984	3-way zone ball valve	5	58
12	471FL	Flow-meter	5	79	24	988	By-pass kit for zone valves	5	59

Pos.	Art.	Descrizione	Cap.	Pg.	Pos.	Art.	Descrizione	Cap.	Pg.
1	489A	Gruppo di sfiato scarico automatico	5	80	13	894VM	Volantino di regolazione	-	-
2	492BC	Bocchettone portatermometro orientabile con termometro	2	15	14	298 SDC	Valvola a sfera ad angolo senza dado e codolo	2	15
3	098 SDC	Valvola a sfera senza dado e codolo	2	14	15	092	Valvola a sfera f/f	2	13
4	494	Tappo cieco maschio	5	82	16	098	Valvola a sfera con bocchettone per collettore	2	14
5	498ST	Coppia di staffe complete	5	78	17	298	Valvola a sfera ad angolo con bocchettone per collettore	2	15
6	860	Collettore da barra 1" e 1 1/4"	5	62	18	098S	Valvola a sfera con bocchettone e o-ring per collettore	2	14
7	518 519	Raccordo intermedio Raccordo per collettore da 1 1/4"	5	79	19	298S	Valvola a sfera ad angolo con bocchettone e o-ring per collettore	2	15
8	595	Raccordo per tubo rame	6	106	20	860BY	Bypass terminale tarato a 0,25bar per 1"-1 1/4"	5	78
9	510	Raccordo per tubo multistrato	6	94	21	990 991	Servomotore senza sblocco Servomotore con sblocco	5	58
10	471 472	Raccordo per flussimetro collettore da 1" Raccordo per flussimetro collettore da 1 1/4"	5	79	22	980 981	Valvola a sfera a due vie da 1" e 1 1/4" Valvola a sfera a due vie MM da 1" e 1 1/4"	5	58
11	Vitonvat 100	Vitone termostatico	-	-	23	984	Valvola a sfera a 3 vie bypass da 1"	5	58
12	471FL	Flussimetro	5	79	24	988	Bypass di collegamento con Tee da 1"	5	59



VOCI DI CAPITOLATO - *TECHNICAL FEATURES*



Conforme marchio ENEC 03: EN 60730-1:2000 e successive integrazioni. Direttiva BT 72/23/CEE e successive modifiche. Direttiva 89/336/CEE, Legge 10/91, EN55014-1.

According to marking ENEC 03: EN 60730-1:2000 and supplements. Directive BT 72/23/CEE and supplements. Directive 89/336/CEE, Law 10/91, EN55014-1.

Abbinabile a valvole termostattizzabili e collettori premontati.
Normalmente chiuso, azione on-off.
Alimentazione: 230V e 24V.
Potenza assorbita: 2,5W.
Temperatura ambientale di funzionamento minima e massima: 0°C, 50°C.
Lunghezza del cavo d'alimentazione: m.1.
Grado di protezione IP44.
Disponibile nelle versioni a 2 fili o a 4 fili con microinterruttore ausiliario.
Portata del contatto ausiliario: 700mA.
Tempo d'intervento:
Versione 230V: da 90 secondi a 3 minuti.
Versione 24V: da 3 a 5 minuti.

*Suitable for convertible valves and pre-assembled manifolds.
Normally closed, on-off operation.
Power supply voltage: 230V and 24V.
Power consumption: 2,5W.
Minimum and maximum working ambient temperatures: 0°C, 50°C.
Length of the power supply cable: m.1.
Class of protection IP44.
Available with 2 cables or 4 cables with an auxiliary microswitch.
Capacity of the auxiliary connection: 700mA.
Operating time:
230V model: 90 seconds to 3 minutes.
24V model: 3 to 5 minutes.*

MISURA/SIZE	230V-2	230V-4	24V-2	24V-4
CODICE/CODE	891M2302NC	891M2304NC	891M0242NC	891M0244NC
IMBALLO/PACKING	1/40	1/40	1/40	1/40

