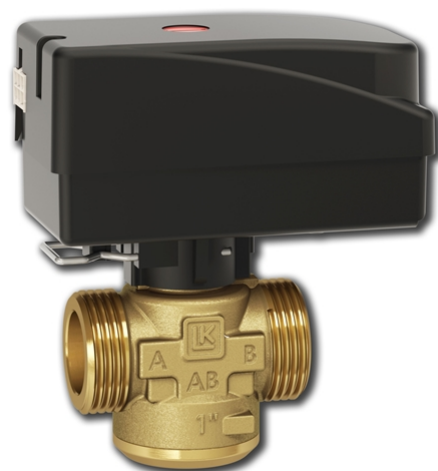


LK 525 MultiZone 2W

Technical data

Working temperature:	Min. +5 °C / Max. +80 °C (+90 °C briefly)
Ambient temperature:	Min. +1 °C / Max. +60 °C
Max. working pressure:	1.0 MPa (10 bar)
Max. differential pressure:	100 kPa (1 bar)
Leakage:	< 0.1% of Kvs at 100 kPa
Angle of rotation:	90°/360°
Media 1:	Water - Glycol/Ethanol mixture max. 50%
Thread standard:	G - male thread
Actuator:	7 VA, 230 VAC, 50 Hz
Operation time:	12 seconds (90°)
Electrical connection:	Fixed wire
Signal connector:	Single pole SPST
Protection class:	IP 40
Material, valve body:	Brass EN 12165 CW617N
Material, external cover:	Brass EN 12164 CW614N
Material, slide/spindle:	PPS Composite
Cable specification:	Dimension 3 x 0,75 mm ²
Wire colors:	Blue, brown, black
External insulation:	PVC

Approvals:



LK 525 MultiZone is a motorized 2-way zone valve for application in heating systems in which the flow through one or more zones is to be controlled. The zone valve has On/Off control and is designed with a turning slide which allows it to withstand a larger pressure difference and reduces the risk of it stalling after a long intermission. On the upper surface of the actuator is an indicator that shows which port is open or closed.

The zone valve must not be installed with the motor underneath the valve unit.

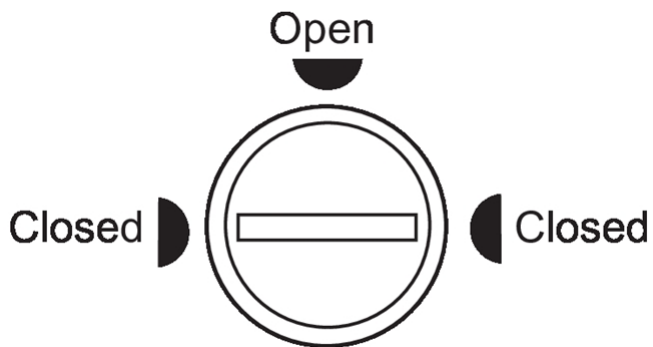
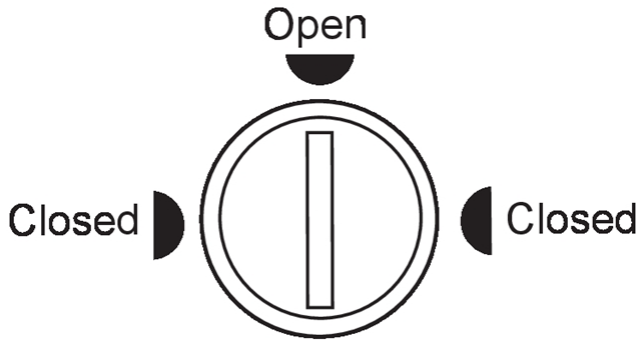
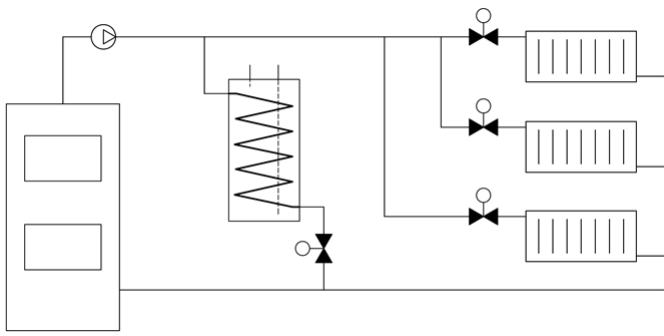
In case of a power failure, the valve cone stays in its current position. When the power is switched off, the valve can be manually set. Remove the motor and turn the spindle to your selected position.

When the power is restored, turn the valve back to its original position and reinstall the motor.

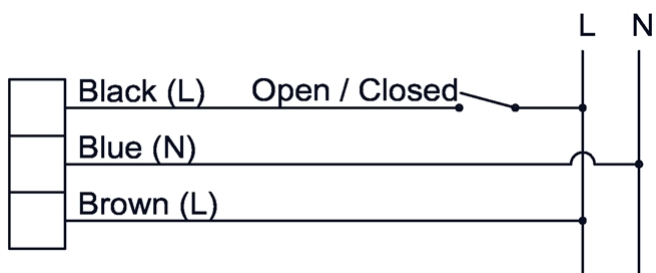
Please note that the motor can be installed in only one position.



LK Armatur

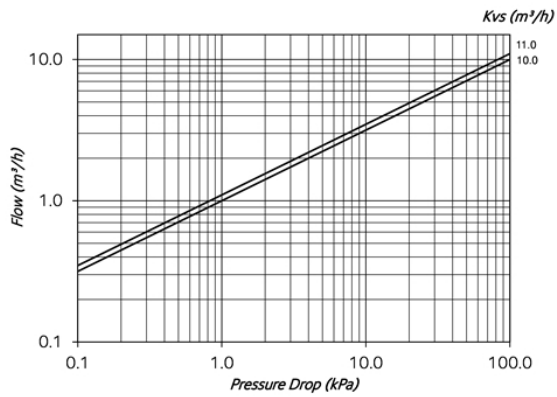


Wiring Diagram

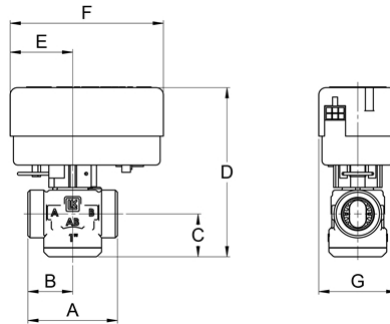


Valve and motor are available in closed or open position. (NC; Normally Closed or NO; Normally Open)

Capacity Diagram

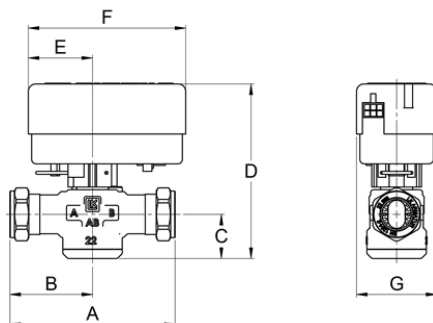


LK 525 2W - Male thread



Article no.	Article	Type	Kvs m³/h	A mm	B mm	C mm	D mm	E mm	F mm	G mm	Weight (kg)
066112	Valve unit M ¾"	NC	10	70	35	30	118	43	107	54	0.2
066102	Valve unit M 1"	NC	11	62	31	30	118	43	107	54	0.3
066103	Valve unit M 1¼"	NC	11	74	37	30	118	43	107	54	0.6
066115	Valve unit M ¾"	NO	10	70	35	30	118	43	107	54	0.2
066113	Valve unit M 1"	NO	11	62	31	30	118	43	107	54	0.3
066114	Valve unit M 1¼"	NO	11	74	37	30	118	43	107	54	0.6
066111	EMV 110-K SPST Actuator 230 VAC Cable 1000 mm	NC									0.3
066199	EMV 110-K SPST Actuator 230 VAC Cable 1000 mm	NO									0.3

LK 525 2W - Compression fitting



Article no.	Article	Type	Kvs m ² /h	A mm	B mm	C mm	D mm	E mm	F mm	G mm	Weight (kg)
066104	Valve unit 22 mm	NC	11	110	55	30	118	43	107	54	0.4
066105	Valve unit 28 mm	NC	11	110	55	30	118	43	107	54	0.6
066116	Valve unit 22 mm	NO	11	110	55	30	118	43	107	54	0.4
066119	Valve unit 28 mm	NO	11	110	55	30	118	43	107	54	0.6
066111	EMV 110-K SPST Actuator 230 VAC Cable 1000 mm	NC									0.3
066199	EMV 110-K SPST Actuator 230 VAC Cable 1000 mm	NO									0.3